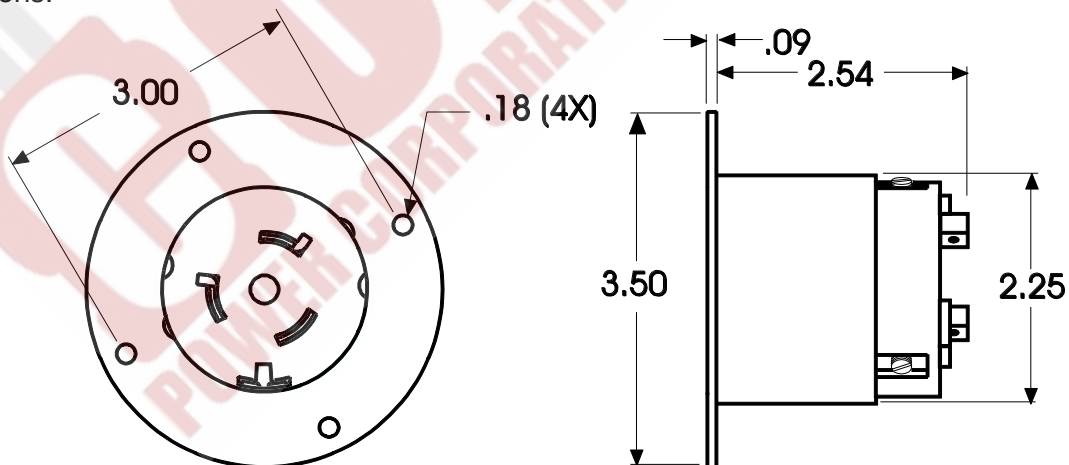


**SPECIFICATION SHEET**

Flanged Inlet, locking  
50A, 125/250V  
3-Pole, 4-Wire

**Catalog Number: CS6375**

- Item: Flanged inlet, locking.
- Rating: 50 amperes, 125/250 volts, single-phase, 3-pole, 4-wire.
- Materials: Flange is nylon.  
Plug body is nylon with a CTI greater than 600 volts.
- Terminals: Terminals have 5/16" screws with Perma-Lock™ collar to encapture the wire strands. The terminal screw does not bear down on the wire.
- Terminal Marking: Terminal lugs are color coded.  
Ground wire entrance hot stamped green and marked "G."  
Neutral wire entrance hot stamped white and marked "W."  
Phase wire entrances colored red and black and marked "X" and "Y."
- Blades: Blades are solid brass 0.10" thick.
- Listings: UL listed, File E57672  
CSA certified, File LR81290
- Dimensions:



Dimensions shown in inches